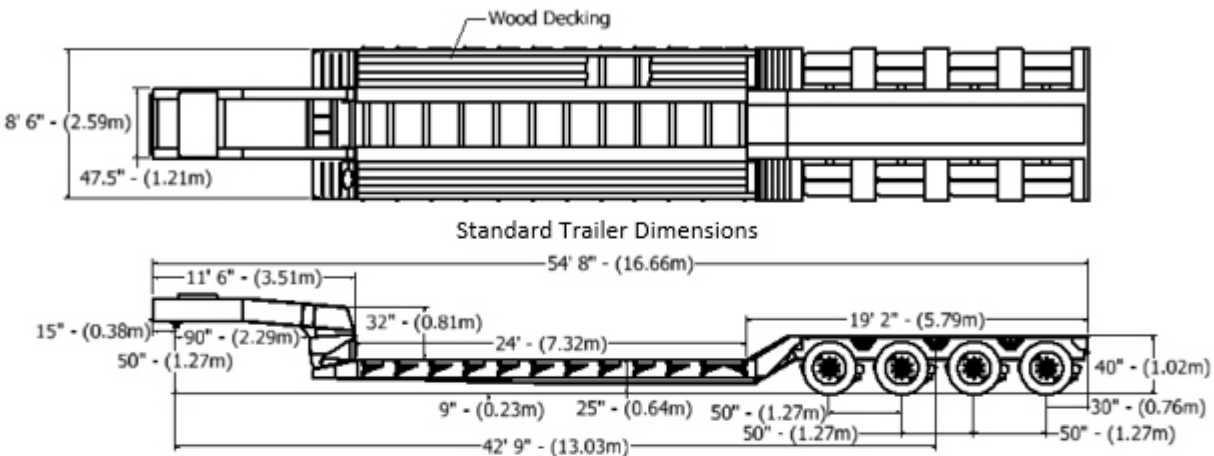




Model: RG - 80

Ground Bearing Removable Gooseneck

Overall Length	Overall Width	Gooseneck Length	Deck Length	Deck Height	Tail Length	Tail Height	Ground Clearance
54' 6"	8' 6"	11' 6"	24'	25"	19' 2"	40"	9"



Weight 27,900 lbs. Capacity 160,000 lbs.

GVWR 187,900 lbs.

Gooseneck	
King Pin Style	Fixed
King Pin Setting	15"
Swing Clearance	90"
5 th Wheel Height	50"
King Pin	2"
Ride Height Adj.	N/A
Main Deck	
Main Beam	W18x119 Beams A992 Grade 50
Centers	40" Standard
Side Beams	W16x26 A992 Grade 50
Crossmembers	W8x10 A992 Grade 50
Spacing	24" Standard
Outriggers	12" Cast Iron, 12 Each Side
# of D-Rings	3 per Side
Front Ramps	Optional
Concentrated Load	160,000 lbs. (Within a 16' Span)
Tail Section	
Riser	30°
Electrical	
Lights	Sealed Modular Wire Harness
Connector	7 Way Connector
Hydraulics	
Cylinder (2)	8" Bore w/ 22" Stroke
Control Valve	2,500 psi
Engine:	13 HP Electrical Start – Pump: 1 GPM

Axle, Suspension, & Running Gear	
# of Axles	4 Air Suspension Axles
Axle Spacing	50"
Axle Capacity	22,500 lbs.
Brakes	16 1/2" x 7" – 22,500 lbs.
ABS	Optional
Decking / Flooring	
Main Decking	2" Oak Lumber (Open Center)
Wheel Assembly	
Tires	11 R 22.5
Rims	8.25 x 22.5 Steel Wheels
Finish	
Anticorrosive Undercoat – 2 Coats Epoxy Primer	
2 Coats Gloss Acrylic Enamel Top Coat	
Mud Flaps & Reflective Tape	
Popular Options	
1 1/2" Mill Cambered	
Additional Deck Length up to 28'	
Aluminum Wheels	
Apitong Wood Decking	
Beavertail w/ Ramps	
Bucketwell	
Combo Wet Line & Power System	
Covered Wheels (Welded or Removable)	
Flush Bed Hooks	
T-1 100ksi (Main Frame)	